

4

3

2

1

D

D

C

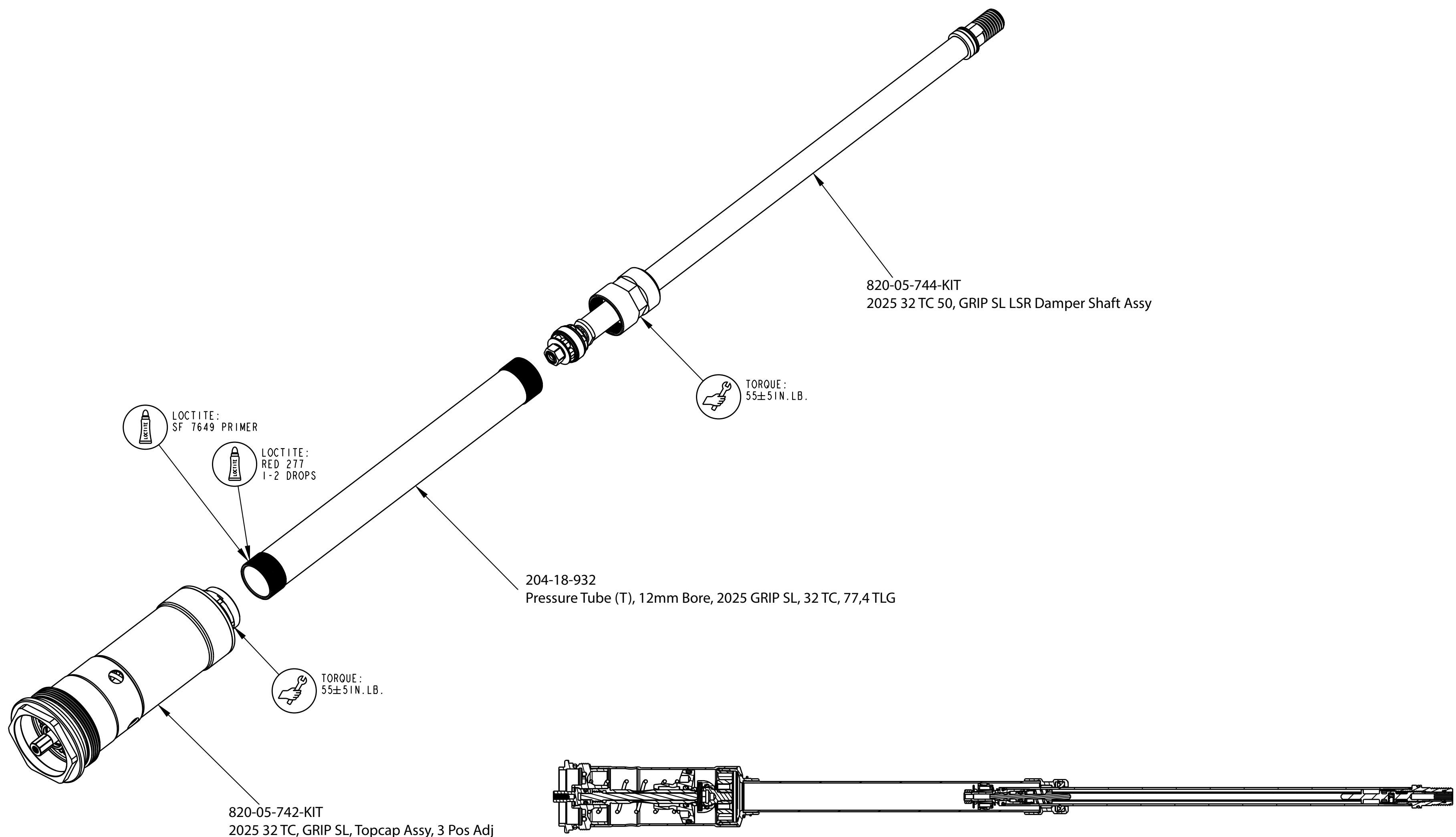
C

B

B

A

A



LOCTITE:
SF 7649 PRIMER

LOCTITE:
RED 277
1-2 DROPS

TORQUE:
55±5 IN. LB.

TORQUE:
55±5 IN. LB.

204-18-932
Pressure Tube (T), 12mm Bore, 2025 GRIP SL, 32 TC, 77,4 TLG

820-05-744-KIT
2025 32 TC 50, GRIP SL LSR Damper Shaft Assy

820-05-742-KIT
2025 32 TC, GRIP SL, Topcap Assy, 3 Pos Adj

SECTION A-A
SCALE 3:4

- PROPRIETARY -
THIS DOCUMENT CONTAINS CONFIDENTIAL, PROPRIETARY INFORMATION
THAT IS FOX PROPERTY. DO NOT DISCLOSE TO OR DUPLICATE
FOR OTHERS EXCEPT AS AUTHORIZED BY FOX.

FOX FOX Factory, Inc. Ph 831-768-1100
130 Hangar Way, Watsonville, CA 95076 USA Fax 831-768-9312

TITLE
**2025 32 TC 50, GRIP SL,
3 Pos Adj, Cart Assy**

SIZE DWG. NO.
C |
PLOT SCALE 1:1 | SHEET 1 OF 1

4

3

2

1

ProE ASSEM